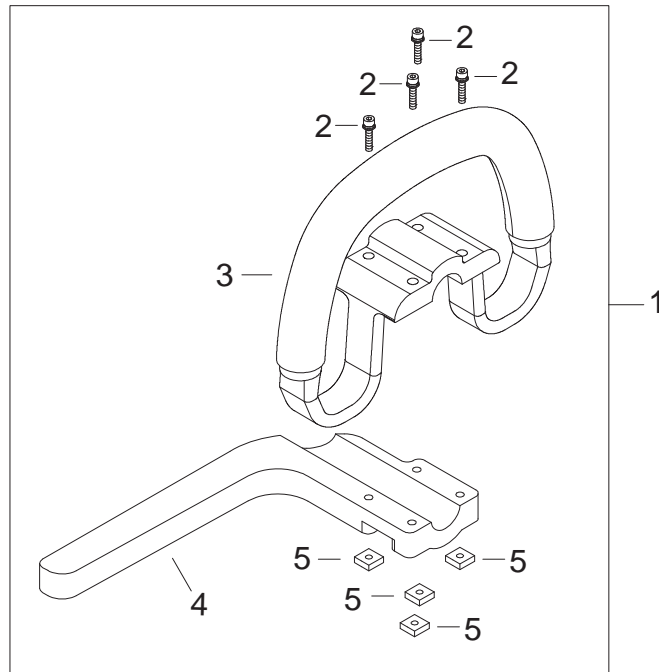


HANDLE
MANGO
POIGNÉE

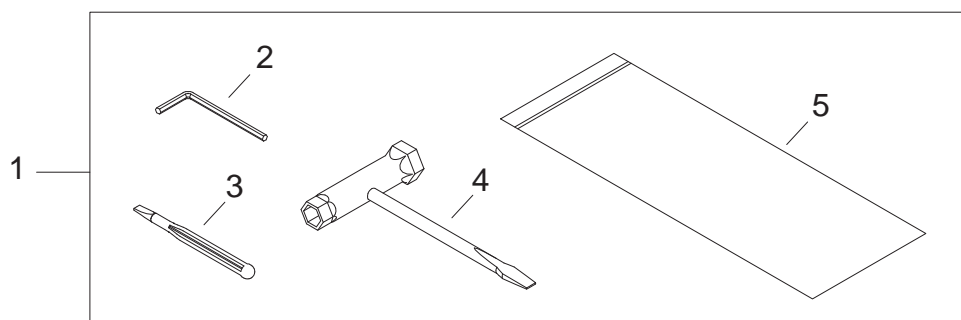
ILLUSTRATION 13 - REV 02/09



NO.	PART NUMBER	DESCRIPTION	DESCRIPCIÓN	NOM DE LA PIÈCE	QTY.
13-1	60904-98310	HANDLE ASSY	MONTAJE DE MANGO	ASSEMBLAGE POIGNÉE	1
2	11022-05350	*BOLT SPW M5×35	*PERNO	*BOULON	4
3	62901-64113	*HANDLE	*MANGO	*POIGNÉE	1
4	65011-64120	*BARRIER BAR	*BARRA PROTECTORA	*BARRE DE SÉCURITÉ	1
5	22420-16120	*NUT M5	*TUERCA	*ÉCROU	4

SERVICE TOOL KIT
KIT DE HERRAMIENTAS
TROUSSE À OUTILS

ILLUSTRATION 14 - REV 02/09



NO.	PART NUMBER	DESCRIPTION	DESCRIPCIÓN	NOM DE LA PIÈCE	QTY.
14-1	64115-92310	SERVICE TOOL KIT	MONTAJE DE HERRAMIENTAS	TROUSSE À OUTILS	1
2	09026-04001	*HEX WRENCH 4MM	*LLAVE ALLEN 4MM	*CLÉ HEXAGONALE 4MM	1
3	62023-92010	*PLASTIC SCREWDRIVER	*DESTORNILLADOR PLÁSTICO	*TOURNEVIS PLASTIQUE	1
4	72320-91410	*SCRENCH 13×19mm	*LLAVE DE BUJÍA Y DESTORNILLADOR COMBINADO	*UNE TOURNEVIS ET CLÉ MIXTE À BOUGIE	1
5	19639-01400	*TOOL BAG	*BOLSA DE HERRAMIENTAS	*SAC À OUTILS	1

* Denotes item is part of an assembly
** Denotes item is part of a sub-assembly

* Denota artículo forma parte de una asamblea
** Denota artículo forma parte de un submontaje

* Indique l'article fait partie d'une assemblée
** Indique l'article fait partie d'un sous-ensemble

IPL HISTORICAL REVISIONS

2-06-09

T242X EPA2 IPL combined with T242X EVC IPL. Differences between EPA2 and EVC are Fuel Tank Assy and Fuel Tank have different part numbers that meet specific emissions standards.

T242X EPA2-EVC IPL p/n 81744 supercedes EPA2 p/n 81587 and all previous EPA2 and EVC IPLs

All Part Numbers checked and updated to current

IPL HISTORICAL REVISIONS

shindaiwa®

Illustrated Parts List

T242X Trimmer



Our mission is to deliver complete customer satisfaction by being

FIRST TO START. LAST TO QUIT.

in all our business dealings

Shindaiwa Inc.
11975 S.W. Herman Rd.
Tualatin, Oregon 97062
Telephone: 503 692-3070
Fax: 503 692-6696
www.shindaiwa.com